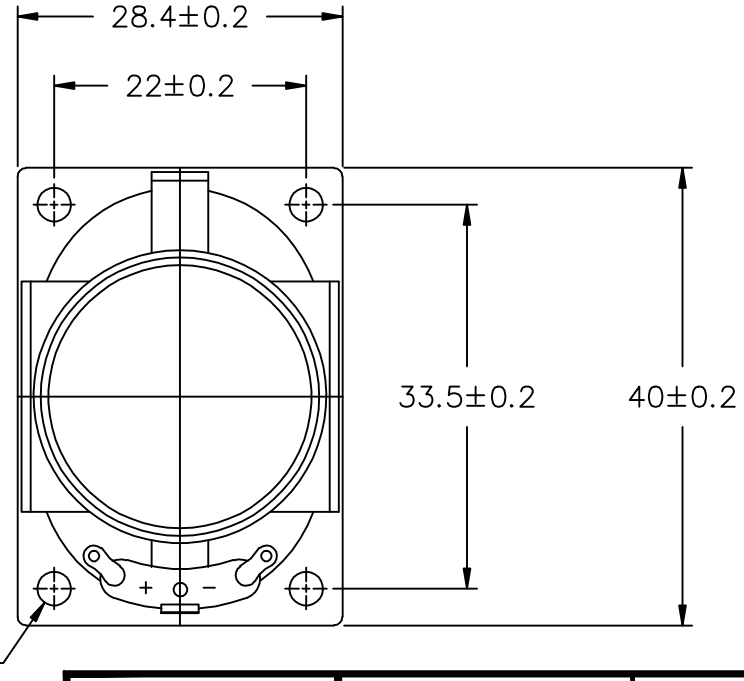
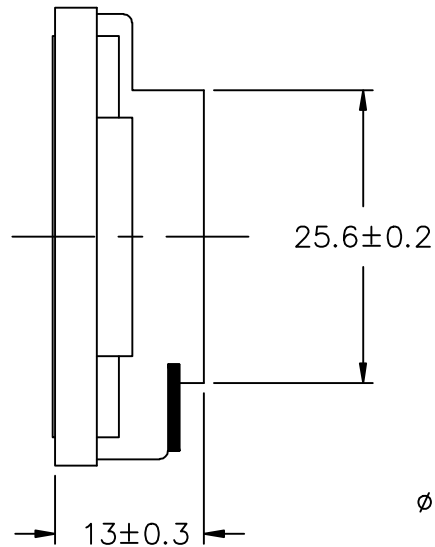


THIS DOCUMENT CONTAINS DATA PROPRIETARY TO PROJECTS UNLIMITED, INC. ANY USE OR REPRODUCTION, IN ANY FORM, WITHOUT PRIOR WRITTEN PERMISSION OF PROJECTS UNLIMITED, INC. IS PROHIBITED.
 ©2005, Projects Unlimited Inc.

SPECIFICATIONS


PARAMETERS	VALUES	UNITS
RATED INPUT POWER	2	W
MAX INPUT POWER	4	W
IMPEDANCE	4±15%	OHM
OUTPUT SPL @ 1W/0.5M (AT 0.8, 1.0, 1.2, 1.5 kHz)	87±3	dBA
DISTORTION (MAX.)	5%	-
RESONANT FREQUENCY	370±20%	Hz
FREQUENCY RANGE	200 ~ 20,000	Hz
HOUSING MATERIAL	ABS	-
CONE MATERIAL	PAPER	-
MAGNET MATERIAL	Nd-Fe-B	-
OPERATING TEMPERATURE	-40 ~ +85	°C
WEIGHT	16.5	grams

REVISIONS			
LTR	DESCRIPTION	DATE	APPROVED
-	RELEASED FROM ENGINEERING	12/7/05	
A	ADDED MOUNTING HOLE DIMENSION	12/18/07	R.W.
B	REVISED MAX INPUT POWER	7/18/08	B.R.
C	REVISED OPERATING TEMPERATURE	10/14/08	C.W.



NOTES:

- ALL DIMENSIONS ARE IN MILLIMETERS.
- SPECIFICATION SUBJECT TO CHANGE OR WITHDRAWAL WITHOUT NOTICE.
- THIS PART IS RoHS 2002/95/EC COMPLIANT.

UNLESS OTHERWISE SPECIFIED: DIMENSIONS ARE IN MILLIMETERS, TOLERANCES ARE ±0.5 AND ANGLES ARE ±3°.		 A Division of Projects Unlimited	6300 Sand Lake Road Dayton, Ohio 45414
APPROVALS	DATE		
DRAWN	J.A.F.	12/05	SPEAKER DRAWING NO. AS04004PO-R
CHECKED	B.R.	12/05	
APPROVED	E.P.	12/05	
FILE NAME	AS04004PO-R.DWG		SIZE: N.T.S. SHEET 1 OF 1